

# Metal pass detector TS-500 Series

High-speed detect small metal  
Variation of the detection head rich



## SENSOR HEAD SPECIFICATIONS

	Bore	Minimum objects	Ambi. Temp.
HA-905	φ 5	Steel wire φ 0.3×0.4mm	-10 ~ 60°C
HA-910	φ 10	Steel wire φ 0.3×0.5mm	
HA-915	φ 15	Steel wire φ 0.3×0.7mm	
HA-920	φ 20	Steel wire φ 0.3×1.0mm	
HA-925	φ 25	Steel wire φ 0.5×1.5mm	
HA-930	φ 30	Steel wire φ 0.5×2.0mm	

TS-500-□□□P

SENSOR BORE :  
 [ TS-500-05DT for HA-905  
 [ TS-500-15DT for HA-915

POWER SUPPLY [ D...DC  
 [ A...AC

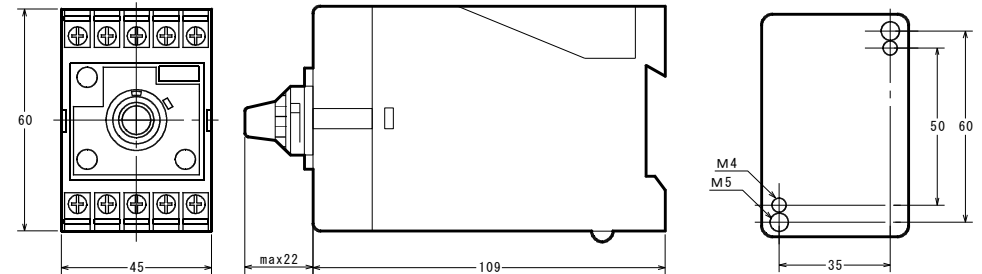
## CONTROLLER SPECIFICATIONS

ITEM		TYPE	TS-550-□□-DP	TS-550-□□-AP
POWER SUPPLY			10~30DC	117/230VAC ±15% 50/60Hz
CONSUMPTION			60mA max.(non-loading)	2VA or less
CONTROL OUTPUT	RELAY OUT			2A/250VAC(resistive), 1C
	OPEN-COLLECTOR OUT		40VDC 100mA max.	
			40VDC 100mA max.(100ms off-delay)	
VOLTAGE OUT			0.5V/0.8V, output impedance 4.7kΩ	
INDICATION			Red LED for output	
RESPONSE TIME	RELAY OUT			10ms(65ms off-delay)
	OPENCOLLECTOR OUT		1 ms or less	
SENSITIVITY ADJ.			10turn pot.	
AMBIENT TEMPERATURE			-10~60°C	
AMBIENT HUMIDITY			85%RH or less, non-condensing	

## OUTLINE DIMENSIONS

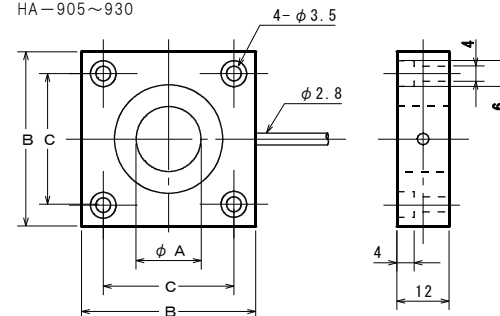
●CONTROLLER

●MOUNTING DIMENSIONS(mm)



●SENSOR

HA-905~930



	A	B	C
HA-905	5	40	30
HA-910	10	40	30
HA-915	15	40	30
HA-920	20	55	45
HA-925	25	55	45
HA-930	30	55	45